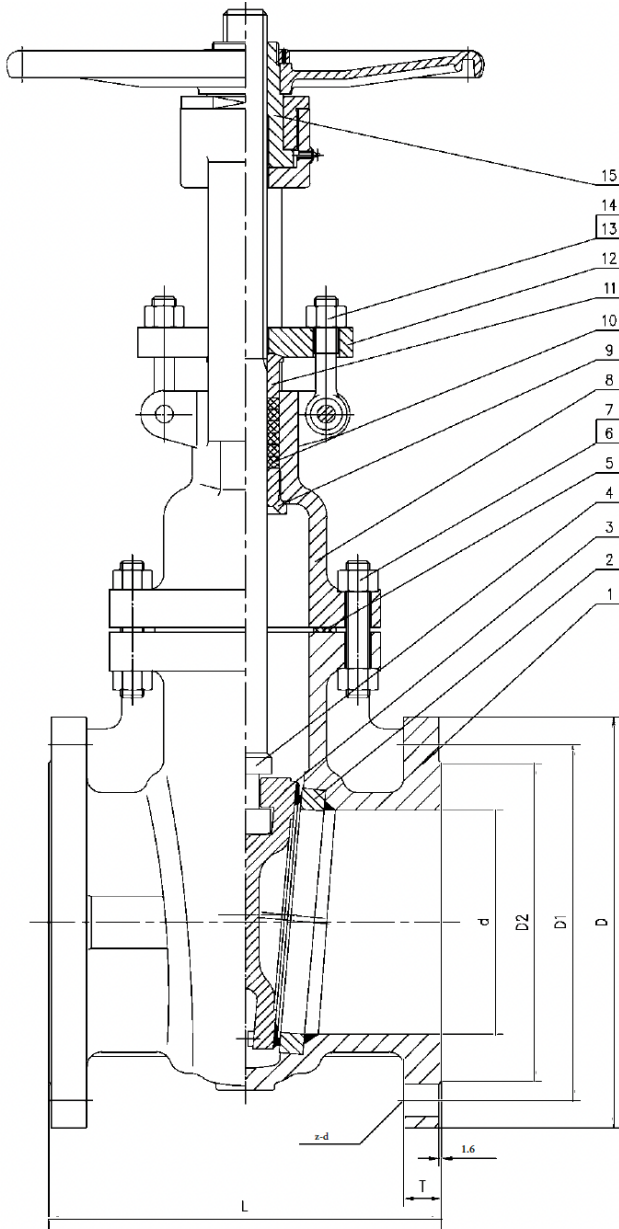




MEPTECH
A DIVISION OF MEPPAR

MEPTECH a Division of Meppar Trading
Unit C27, 5 Galaxy Avenue
Linbro Business Park
Sandton,
Johannesburg, South Africa, 2065



DIMENSION

10"	330	254	4D 6		324	31	
8"	292	203	343		270	29	
5"	257	152	279		216	26	
4"	229	102	229		157	24	
3"	203	76	190		127	19	
2 1/2"	190	64	178		1D5	1S	
2"	216	51	152		92	16	
NPS	L	d	D		D1	D2	T

TECHNICAL REQUIREMENT

Class	150Lb	
Shell Test	3.D	MPa
Back Seal Test	2.2	
Seal Test	2.2	
Air Test	0.6	

MATERIAL LIST

15	Stem Nut	Brass
14	Nut	ASTM A194 2H
13	Eyelet Bolt	ASTM A193 B7
12	Gland Flange	ASTM A216 WCB
11	Gland	ASTM A276 41 D
10	Packing	Graphite
9	Backseat	ASTM A276 316
8	Bonnet	ASTM A216 WCB
7	Nut	ASTM A194 2H
6	Bolt	ASTM A193 B7
5	Gasket	Graphite+304
4	Stem	ASTM A1 82 F6a
3	Wedge	ASTM A216 WCB+ 13Cr
2	Seat	ASTM A182 F6a
1	Body	ASTM A216 WCB