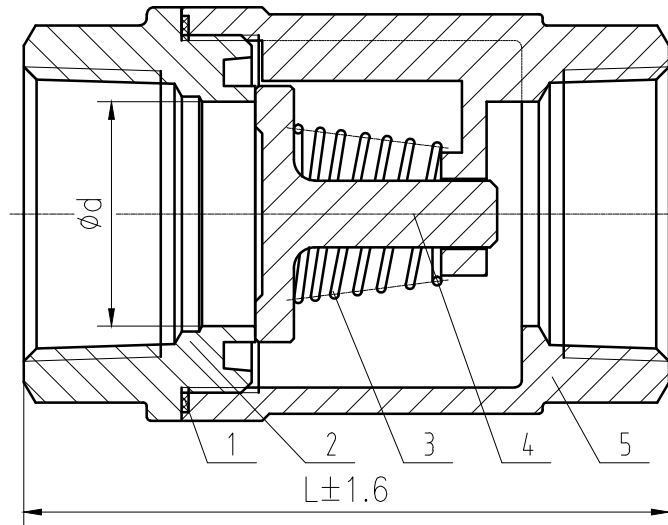


Main Technical Parameter			
Nominal pressure		1000psi	
Test pressure	Shell	10.4	Mpa
	High-Pressure Closure	7.6	
	Low-Pressure Closure	0.4~0.7	
Applicable temperature		-29~450°C	
Applicable medium:water,oil,gas			



Please note: This Drawing for reference only.

#### MAIN PARTS AND MATERIALS

NO.	PART NAME	MATERIAL
1	Seal ring	PTFE
2	Bonnet	CF8/CF8M
3	Spring	304/316
4	Disc	CF8/CF8M
5	Body	CF8/CF8M

#### CONFIGURATION DIMENSION

	d	L
1/2"	15	58
3/4"	20	62
1"	25	76
1 1/4"	32	88
1 1/2"	40	101
2"	50	113

ASSEMBLY  
DRAWING

Vertical Lift Check Valve

C606